

# Millenium<sup>®</sup>



## FULLY AUTOMATIC STRAPPING MACHINE

- With 3rd Generation Aluminum Alloy Arch Modular Design
- Easy to Assemble & Disassemble
- Change Size Economical
- No Arch Motor Required

**M** **DISCOVER** the new **BREED** of **PACKAGING**



PLC CONTROLLED



NON-CONTACT TYPE SENSORS



MODULAR ALUMINIUM ARCH



CONTROL PANEL



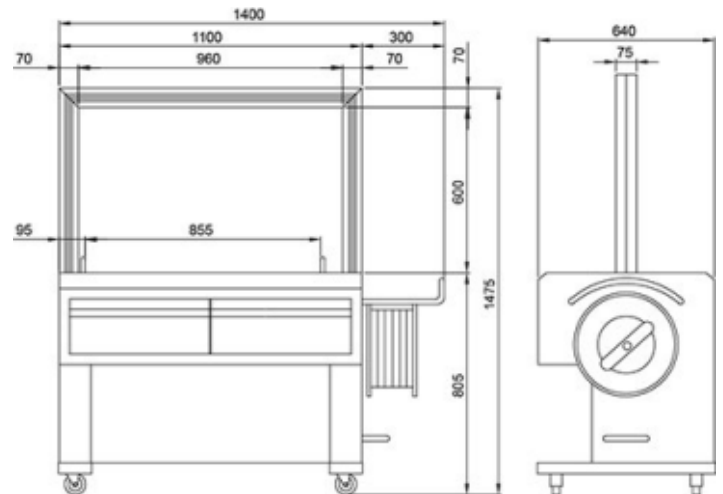
HEAVY DUTY COMPONENTS FOR LONG LASTING TROUBLE FREE OPERATIONS



MPS 010 FA | STA1

## Specifications

Arch Size	850W x 400/600H mm (Standard)
Power Supply	3Ø, 380V, 50 Hz, 1250 watts
Strap Cycle Speed	27 Cycles per Min
Tension Strength	Max. 70 Kgs. (Adjustable-Mechanically)
Strap Width	9/12/15 mm - to be specified at the time of placing the order
Sealing Method	Heat Sealing
Dimension	1400W x 640D x 1475H mm
Table Height	805 mm
Machine Weight	220 Kgs.
Gross Weight	265 Kgs.
Control	PLC Controlled



### PLC Controlled

Makes the Machine reliable as compared to other Machines available in the Market using contactors & relays. Results into better longevity, lesser breakdowns and increased productivity.

### 3rd Generation Aluminum Alloy Arch Modular Design

Modular designed Aluminum alloy arch, easy to assemble and disassemble, Change size economical, No Arch motor required.

### User Friendly

Auto strap positioning and retry feeding functions ; to ensure that the strap reaches its proper position and every cycle is accurate and efficient. Convenient operating modes with panel, ball switch and foot pedal switch.

### Easy Tension Adjustment

By rotation of mechanical tension knob user can easily set required tension.

### Safety Design

Control Voltage of 24V(DC) ensures the safe operation and prevents operators from electrical shock.

## MPS 010 FA | 85 PRU

### Strapping Machine - Standard Power Roller Table

- Standardized power roller table model with 2 sets of photocell
- Optional straps No. is available for 1, 2 or no strapping on the packages. More straps application is also available as an option before order is fixed.
- This model can incorporate with input and output conveyors as a strapping system. The control system of conveyors can be connected with this model.
- An optional photocell to control the table transmitting is available, which can auto-stop the table when no package is input.
- Equipped with Table Roller Cover.



Arch Size	850W x 600H mm (Standard)	Dimension	1550W x 800D x 1470H mm
Power Supply	110/220V 50/60Hz 1Ph; 220/380V 50/60Hz 3Ph	Table Height	810 mm
Strap Cycle Speed	2.5 Sec./Cycle	Package Size	300~820W, 30~560H mm
Tension Strength	Max. 70 Kgs.	Machine Weight	330 Kgs.
Strap Width	9~15.5mm	Gross Weight	430 Kgs.
Sealing Method	Heat Sealing	Power Belt Speed	15M/50Hz Per Min.

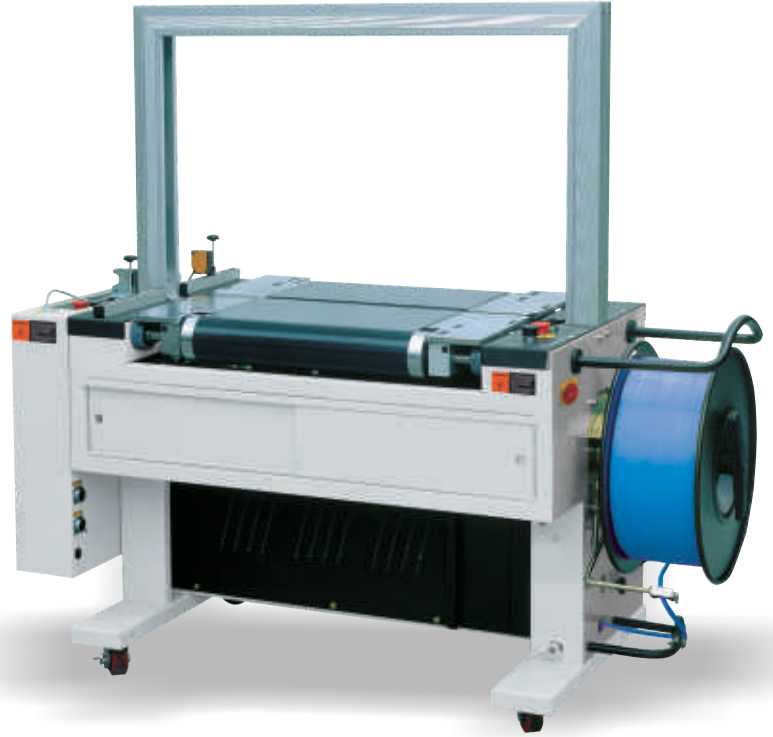
# MPS 010 FA | 85 PBU

## Strapping Machine - Standard Power Belt Table

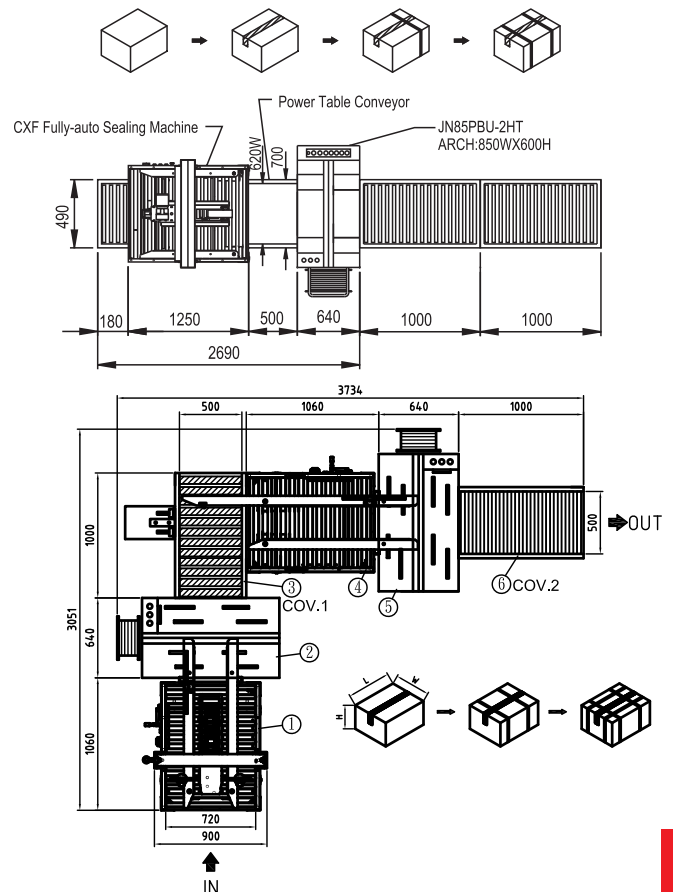
- Standardized power belt table model with 2 sets of photocell.
- Optional straps No. is available for 1, 2 or no strapping on the packages. More straps application is also available as an option before order is fixed.
- This model can incorporate with input and output conveyors as a strapping system. The control system of conveyors can be connected with this model.
- An optional photocell to control the table transmitting is available, which can auto-stop the table when no package is input.

### Specifications

Arch Size	850W x 600H mm (Standard)
Power Supply	110/220V 50/60Hz 1Ph; 220/380V 50/60Hz 3Ph
Strap Cycle Speed	2.5 Sec./Cycle
Tension Strength	Max. 70 Kgs.
Strap Width	9~15.5mm
Sealing Method	Heat Sealing
Dimension	1550W x 640D x 1550H mm
Table Height	820 mm
Package Size	200~520W, 30~560H mm
Machine Weight	307 Kgs.
Gross Weight	402 Kgs.
Power Belt Speed	17M/50Hz Per Min.



# Automatic Strapping and Sealing line



## FULLY AUTOMATIC SEALING & STRAPPING LINE

PACKING SIZE: L200~500xW200~500xH110~500 MM

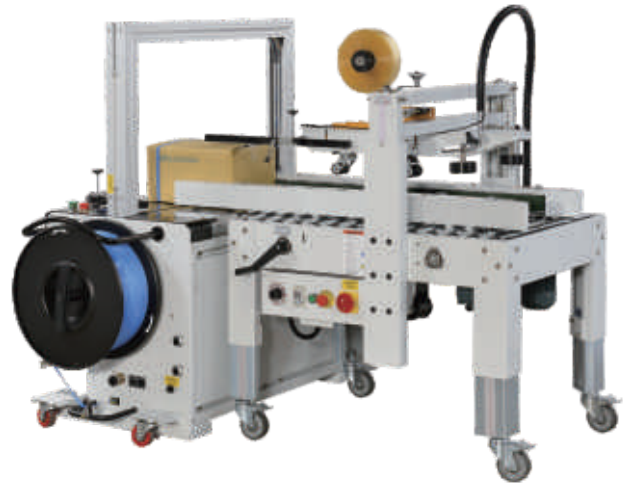
TABLE HEIGHT: 805MM

- ① CARTON SEALING MACHINE
- ② ⑤ FULLY AUTO STRAPPING MACHINE
- ③ POWER ROLLER CONVEYOR + 90° AIR PUSHER - L1000xW500xH805
- ④ POWER BELT DRIVING COV - L1000xW720xH805+MICRO SWITCH
- ⑥ FREE ROLLER COV - L1000xW500xH805

## MPS 010 FA - Combo | STA 1 + CX 2ex

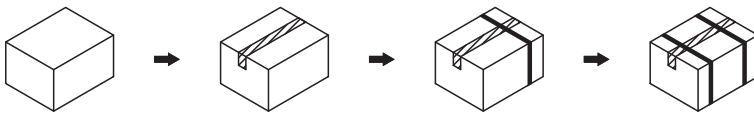
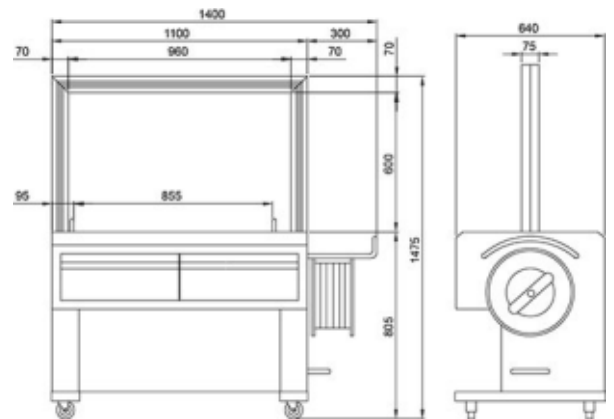
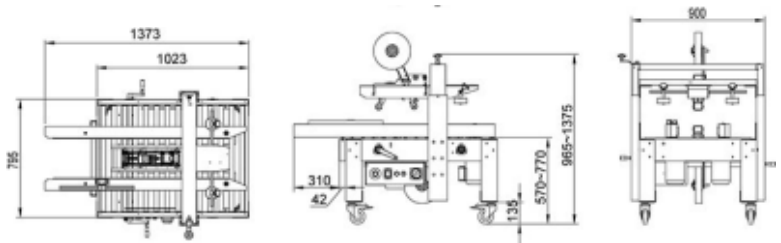
The Carton Sealing and Strapping machine is a packaging machine which integrates the function of sealing and strapping cartons automatically; it can be equipped in automatic packaging line, seal tapes on the top and bottom, strap machine with several belts, and improve the automatic packaging degree in the end line. It is of high efficiency, and widely applied in mass production industries like toys, home appliances, printing pharmaceuticals, electronics, daily necessities, etc.

- Sealing and strapping can be operated at same time, high speed, high efficiency and place saving;
- Controlled by PLC, easy to operate and low failure rate
- Imported sensor is adopted to ensure accurate, strapping can automatically do 1-3 line strapping
- Can be used in stand -alone; high capability and low price.



### Specifications

Power Supply	3Ø, 380V, 50 Hz, 1.5 Kw
Belt Speed (Carton Sealer)	20 Meters / Min.
Packaging Speed	8 Cartons/Min.
Packaging Size	L-300~700 X W-200~500 X 150~500mm
Carton Weight	5-40 Kgs
PP Strap	9/12/15mm - to be specified at the time of placing the order
Tension Adjustment	5~70 Kgf
Adhesive Tape	48 / 60 / 72 mm
Machine Weight	450 Kgs
Machine Dimension	Please refer Drawings attached



## OTHER PACKAGING MACHINES



CS SERIES  
CARTON SEALING MACHINE



001 S SERIES  
SEMI AUTOMATIC STRAPPING MACHINE



030 SW SERIES  
SHRINK WRAPPING MACHINE



W SERIES  
BOX WRAPPING MACHINE



W SERIES  
PALLET WRAPPING MACHINE

## PACKAGING CONSUMABLES



SELF ADHESIVE TAPES



PP STRAPPING ROLLS



STRETCH FILMS



SHRINK FILMS



PET STRAPPING ROLLS



132, Mohammadpur, Bhikaji Cama Place, New Delhi-110066 (INDIA)

P : +91 11 26166610, 26106352 F : +91 11 26106352

E : sales@milleniumpackaging.in

Service Helpline : +91 9711211569, Sales Enquiry : +91 9711211568

W : www.milleniumpackaging.in ; milleniumpack.com ; milleniumpackmachines.com



Note :Accessories shown in the pictures may not be the part of standard equipment.

The Company follows an ongoing process of continuous product development and upgrading the equipments, hence reserves the right to alter the specifications at any time without prior notice. Actual machine may differ from the pictures shown in the catalogue.